



ENCODER
MEASURING
SYSTEMS

MEASURING WHEELS
ENCODER ACCESSORIES



ABP IS THE NO 1 TRUSTED PARTNER



We offer a wide range of solutions for diverse applications and industries, combined with short delivery times and high availability that ensure planning reliability and smooth processes. Our goal is clear: we improve our customers' daily operations by solving their challenges efficiently and sustainably.

abp's core competence lies in shaft couplings for a wide variety of applications. Magnetic encoder measurement systems, measuring wheels and encoder accessories, as well as precision gears and gear components, perfectly complement our portfolio. The result is a technically coordinated system solution from a single source.

In an increasingly digital world, we focus on personal contact and genuine understanding. We listen carefully, analyze requirements and deliver customized solutions that match to exact your needs.

At abp, customer service is personal and dependable. A dedicated contact person guides the entire process – from inquiry to delivery – ensuring transparency, fast response times and continuous support. With us, customer service is still personal!

**This is how we create trust with our customers.
Every day.
Everywhere.**

OUR VALUES

SAFE

As a company with personality, abp stands for safety, stability and reliability. We are and remain a reliable supplier with consistently high quality and fast delivery times.

SOLUTION ORIENTED

Thanks to the combination of our broad product range, the diverse customization options and 25 years of know-how, we at abp offer fast, economical, reliable solutions - tailored to your requirements.

DYNAMIC

At abp, we are known for our fast delivery and response times and our diverse portfolio of solutions. This means that our customers can be sure that they will receive the optimum solution in a short space of time - enabling them to complete their project

LEADING

At abp, we pave the way for new technological developments, optimized processes and new solutions for our customers - by providing high-performance support as a contract manufacturer for a wide range of industries.

EMPHATIC

abp stands for customer proximity, fast and uncomplicated order processing, competent solution consulting and a powerful team.

Our secret recipe?
We really listen to you!

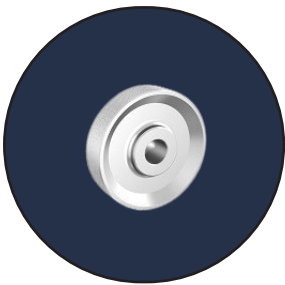
ENCODER MEASURING WHEELS

The aluminum measuring wheels of abp-Antriebstechnik GmbH are designed for highly-precise linear motion and position measurements of various materials. Due to the excellent concentricity we enable a slip-free measurement even at high speeds.

For our measuring wheels we offer compatible encoder mounting accessories.



Our measuring wheels are made in Germany – and stand for high quality and precision, offering excellent concentricity and maximum measuring accuracy.



Circumference 6 Inches (152mm) and 12 Inches (305mm)

Available with cross-knurled surface, studded, smooth or ribbed coating.
Core aluminium/coating polyurethane
Weight 6 inches approx. 60 g; 12 inches approx. 115 g



Circumference 200mm narrow

6 mm wide measuring wheel with smooth PU coating or with NBR 70 O-ring available. Optimally matched to the DAAF 60120 36 spring arm.
Core aluminium/coating polyurethane or ring NBR 70
Weight approx. 51g; with O-ring approx. 48g



Circumference 200mm

Available with cross-knurled surface, studded, smooth or ribbed coating.
Core aluminium/coating polyurethane
Weight approx. 60g

ENCODER MEASURING WHEELS



Circumference 300mm

Available with cross-knurled surface, studded, smooth or ribbed coating.
Core aluminium/coating polyurethane
Weight approx. 110g



Circumference 500mm

Available with cross-knurled surface, studded, smooth or ribbed coating.
Core aluminium/coating polyurethane
Weight approx. 490g

Measuring wheels are used in combination with rotary encoders to perform precise and reliable length, speed and position measurements. Thanks to their robust design and precise manufacturing, they can accurately detect dynamic, linear movements even in harsh industrial environments.

Typical applications include conveyor systems, the printing and packaging industry, food processing, and cable, wire and wood processing. Particularly in applications where precise cut to length accuracy is essential, measuring wheels ensure consistent results, high product quality and reduce material waste, making them an indispensable component for efficient production processes.



HYGIENIC SERIES

Available with a circumference of 200 mm or 500 mm.
studded or smooth coating.
Core: anodised aluminium/coating: FDA-compliant plastic
Weight: 200 mm circumference approx. 60 g
500 mm circumference 490 g

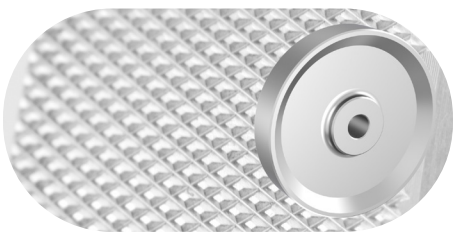
The Hygienic measuring wheel series was specially developed for applications in sensitive environments, such as the food and chemical industries. Thanks to their FDA-compliant plastic and anodised aluminium, the measuring wheels meet the highest hygiene requirements while providing precise and reliable measuring performance.

SURFACES

Whether cross-knurled, smooth, studded, ribbed, with O-ring or FDA-compliant coating – here you will find the ideal coating for your requirements.

If you are unsure which option suits your needs or if you have special requirements simply contact us: anfrage@abp-antrieb.de

Our measuring wheels are made in Germany – their quality and precision speak for themselves, delivering excellent concentricity and maximum measuring accuracy.



MRAR

Measuring wheels with cross-knurled tread for cardboard, wood, textiles, rubber and soft plastic.



MRAP

Measuring wheels with smooth PU tread for greased metals, steel profiles, painted surfaces, plastics, paper, cardboard, wood, textiles, wire and leather.



MRAN

Measuring wheels with knobbly PU tread for rough textiles, carpets, cable measurement, fleece, paper, cardboard, wood and many plastics.



MRAG

Measuring wheels with ribbed PU surface for ungreased metal, painted surfaces, plastic, paper, cardboard, wood, textiles, glass and floor coverings.



MRAO

Measuring wheels with NBR 70 O-ring for painted surfaces, plastics, paper, cardboard and wood.

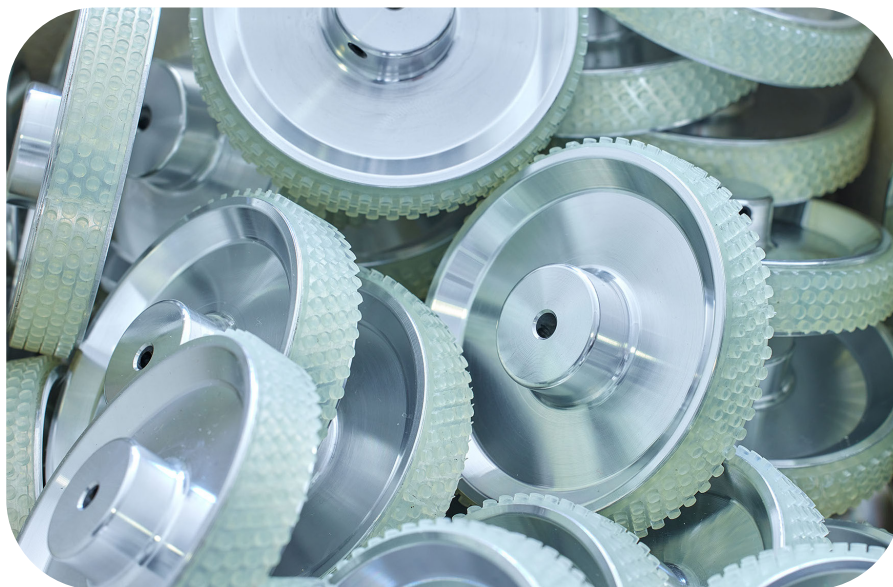


MRAPF/MRANF

Measuring wheels with knobby or smooth coating made of FDA-compliant plastic. For precise length and speed measurements in hygienically sensitive applications.

Surface texture: The wheel coating of the encoder measuring wheels plays a key role in ensuring reliable adhesion to different surfaces. The encoder measuring wheels from abp Antriebstechnik are available with different coatings for optimum grip and high resistance to lubricants, environmental influences and other external factors.

We would be happy to advise you on the right choice:
anfrage@abp-antrieb.de



abp Antriebstechnik's innovative manufacturing process ensures even covering without sharp edges or adhesive joints.
The covering can be glued on request.

Do you have any questions about the application, technical details or a project of your own in mind? We are happy to help: anfrage@abp-antrieb.de

ENCODER MEASURING SYSTEM

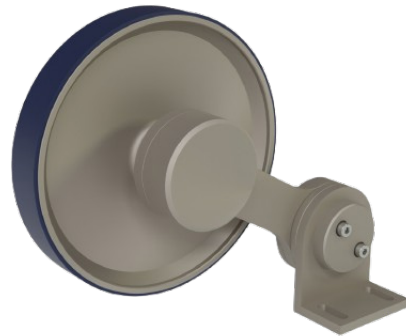
The abp measuring system with integrated magnetic encoder is the simple and fast solution when it comes to clock synchronisation, repeatable position detection and movement measurement, as well as the automation of transport and handling processes. Our system provides you with an extremely space-saving and robust complete solution including an absolute encoder and application-specific measuring wheel.

- * Absolute position encoder
- * No calibration required
- * Robust against external stray fields
- * Very high accuracy $\pm 0.2^\circ$

Robust, precise and insensitive – THE innovation for compact, high-precision measurements.

INDUSTRIES:

- * Food industry
- * Storage and conveyor technology
- * Mechanical and plant engineering
- * Positioning systems
- * Drives and robotics
- * Automation
- * Laser technology
- * **Packaging industry**



Übersicht / overview		min	typ	max
Versorgungsspannung/ supply voltage	V	3,1	3,3	3,6
Stromverbrauch/ current consumption	mA	-	60	-
Auflösung ABI Schnittstelle/ resolution ABI interface	bit	8	12	14
Auflösung singleturn SPI Schnittstelle/ resolution singleturn SPI interface	bit	-	16	-
Auflösung multiturn SPI Schnittstelle/ resolution multiturn SPI interface	bit	-	16	32
Genauigkeit bei 1'000 rpm/ accuracy @ 1'000 rpm	degree	-	+0,2	-
Genauigkeit bei 5'000 rpm/ accuracy @ 5'000 rpm	degree	-	+0,2	-
Maximalgeschwindigkeit Messrad/ maximum speed wheel	rpm	Je nach Belag/ depends on surface		
Wiederholbarkeit/ repeatability	degree	-	0,15	-
Exzentrizität/ eccentricity	mm	-	-	0,5
Streufeld Immunität/ stray field immunity	mT	10	-	-
Betriebstemperatur/ operating temperature	°C	-10	-	+60
Schnittstelle/ interface		SPI		
Federarm / spring arm				
Werkstoff / material		Aluminium, eloxiert / aluminium, anodised		
Gewicht Federarm/ weight spring arm	g	380		

The abp MISX measuring system is sold as a complete measuring system together with a measuring wheel with a circumference of 200 mm/500 mm and a customised covering. The components are optimally matched to each other and enable efficient, cost-optimised and reliable linear measurement for many possible applications.

ENCODER ACCESSORIES

We offer a wide range of easy-to-install encoder accessories. Whether you need compatible accessories for incremental, absolute encoders or, for example, draw-wire encoders.

From encoder holders, spring arms, mounting brackets, reduction sleeves and mounting eccentrics, to rotary encoder mounting kits and economical sets with matching measuring wheels, we offer high-precision solutions suitable for your applications.

The rotary encoder accessories from abp are optimally matched to all common encoders. If you require special dimensions with regard to arm length or individual solutions, please feel free to contact us.



SPRING ARM DAAF 60120

Highly precise and reliable measurement results in combination with measuring wheels between 300 mm and 500 mm (6-12 inch) in circumference with a higher spring travel. The spring arm is designed for 58 mm rotary encoders and guarantees interference-free cable routing thanks to its innovative 6-hole mounting. Thanks to its flexible modular design, the rotary encoder can be mounted over 360 degrees and can thus be optimally aligned on both sides.

The spring load can be individually adjusted, allowing installation from below or above the measuring section. The contact pressure is also infinitely adjustable and is clearly displayed on a laser-engraved scale.

The recommended contact pressure is preset to 15 Nm.

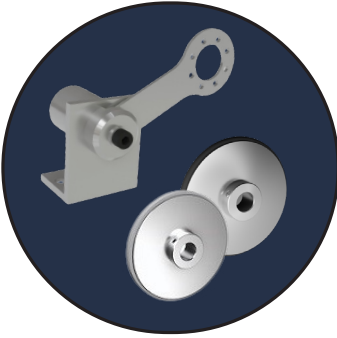


SPRING ARM DAAF 60120 36

Ideally compatible for smaller rotary encoders in combination with measuring wheels between 200 mm and 305 mm in circumference.

The 8 partial circle holes enable optimum fastening of the encoder. As with the DAAF 60120, the contact pressure can be individually adjusted and is preset to 15 Nm upon delivery.

ENCODER ACCESSORIES



SPRING ARM DAAF 3666 26

The spring arm is offered as a set with our MRAO or MSAP measuring wheels and is our cost-effective solution for simple and functional measurement of linear movements. The contact pressure can be adjusted using an adjustment screw and the arm can be mounted flexibly.

This small spring arm is equipped with an 8-hole pattern and is designed for compatible 36 encoders.

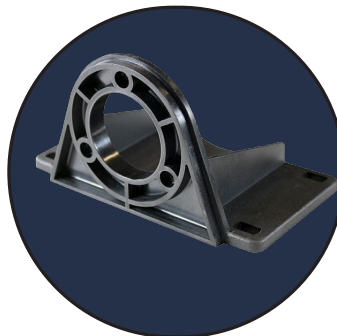


SPRING LOADED ENCODER BRACKET DHAF 8580

Can be used for measuring wheels with a circumference between 300 mm and 500 mm. (6-12 inch)

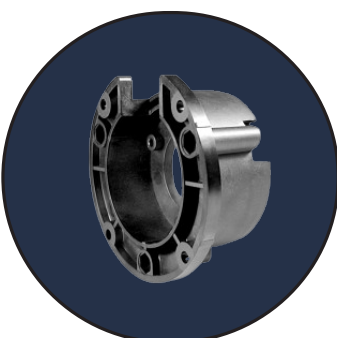
Optimal, precise fit thanks to 12 mounting holes.
(Special holes are possible).

The constant contact pressure and carefully calibrated suspension compensate for any unevenness on the object being measured.
Weight 326 g.



MOUNTING BRACKET MOWI 120

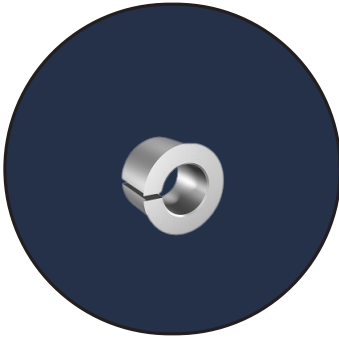
Made of Fortron 1140 L4 glass fibre reinforced plastic and compatible with all rotary encoders with synchronous flange. Thermally (-40°C/+150°C) and electrically insulating, mounting with 3 fastening screws. Weight 63g.



MOUNTING BELL MOGL 5038

Made of glass fibre reinforced plastic Fortron 1140 L4 and compatible with all encoders with synchronous flange. Thermally (-40°C/+150°C) and electrically insulating, mounting with 3 fixing screws or eccentrics. Weight 54g.

We offer a complete DMSA rotary encoder mounting kit including coupling for this item.



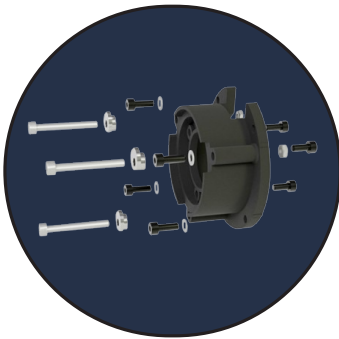
REAN 1007-REAN 1208

Reducing sleeves in many diameters, ideal for development and design to quickly adapt to changing shaft diameters and avoid damage to the shaft surface when using adjusting screws.



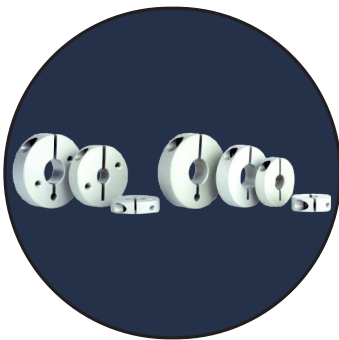
MOUNTING ECCENTRIC BEMN

Designed for mounting Syncroflange encoders.
Available in various dimensions to suit different encoders.



CUSTOMIZED OFFERS

We would be happy to put together a package of rotary encoder accessories that suits your needs.
Individual packaging, laser marking and customisation can be implemented quickly and reliably thanks to our in-house production. All accessories are optimally compatible with standard encoders. If you require special dimensions for the arm length or customised solutions, please contact us.



CLAMPING FLANGES KFAN/KFAG

We offer a wide range of clamping flanges. Our catalogue includes flanges made of anodised aluminium in screw-on or clamping versions. We also offer special designs in various stainless steel variants as well as threaded clamping flanges.

We are happy to assist you on +49 (0)7724 580080 or
by email: anfrage@abp-antrieb.de.



trusted worldwide



abp ANTRIEBSTECHNIK combines high and complex requirements with precise workmanship. That is why our measuring wheels and encoder accessories are indispensable components in the field of drive technology.

trusted worldwide

abp ANTRIEBSTECHNIK GMBH

Leopoldstraße 1
78112 St. Georgen
Germany
Tel. +49(0) 7724 58008-0
Fax +49(0) 7724 58008-01
E-Mail: info@abp-antrieb.de
Internet: www.abp-antrieb.de